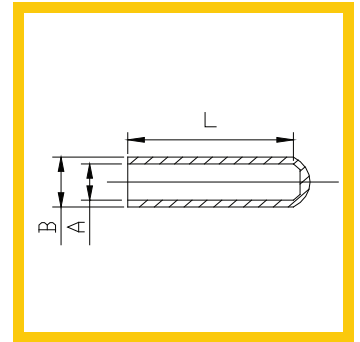


# masking caps



PRODUCT CODE	Inside Diameter A (mm)	Outside Diameter B (mm)	Length L (mm)	Pcs. / Box
EC 70 - 1000	1,78	4,32	25,40	1000
EC 100 - 1000	2,54	5,08	25,40	1.000
EC 148 - 1000	3,76	6,10	25,40	1.000
EC 148 - 1500	3,76	6,10	38,10	1.000
EC 172 - 1000	4,37	7,42	25,40	1.000
EC 172 - 1500	4,37	7,42	38,10	1.000
EC 187 - 1000	4,75	8,00	25,40	1.000
EC 187 - 1500	4,75	8,00	38,10	1.000
EC 223 - 500	5,66	8,76	12,70	1.000
EC 223 - 1000	5,66	8,76	25,40	500
EC 223 - 1500	5,66	8,76	38,10	500
EC 223 - 2165	5,66	8,76	55,00	500
EC 234 - 1000	5,94	9,14	25,40	500
EC 234 - 1500	5,94	9,14	38,10	500
EC 250 - 1000	6,35	9,39	25,40	500
EC 295 - 500	7,49	10,50	12,70	500
EC 295 - 1000	7,49	10,50	25,40	500
EC 295 - 1500	7,49	10,50	38,10	500

EC 295 - 1500	7,49	10,50	38,10	500
EC 295 - 2165	7,49	10,50	55,00	250
EC 312 - 1000	7,92	10,96	25,40	500
EC 312 - 1500	7,92	10,96	38,10	500
EC 355 - 1500	9,00	12,25	38,10	500
EC 375 - 1000	9,52	12,82	25,40	500
EC 375 - 1500	9,52	12,82	38,10	500
EC 375 - 2165	9,52	12,82	55,00	250
EC 406 - 1000	10,31	13,35	25,40	500
EC 406 - 1500	10,31	13,35	38,10	500
EC 456 - 1500	11,58	14,76	38,10	500
EC 456 - 2165	11,58	14,76	55,00	250
EC 500 - 1500	12,70	15,90	38,10	250
EC 535 - 1500	13,59	16,90	38,10	250
EC 562 - 1500	14,25	17,35	38,10	250
EC 625 - 1500	15,87	19,05	38,10	250
EC 687 - 1500	17,45	20,49	38,10	250
EC 730 - 1500	18,54	21,58	38,10	250
EC 750 - 1500	19,05	22,22	38,10	250
EC 812 - 1500	20,62	23,82	38,10	100
EC 875 - 1500	22,23	25,27	38,10	100
EC 937 - 1500	23,80	26,90	38,10	100
EC 970 - 1500	24,64	27,68	38,10	100
EC 1062 - 1500	26,97	30,01	38,10	100
EC 1125 - 1500	28,58	31,62	38,10	100
EC 1250 - 1500	31,75	34,85	38,10	100
EC 1380 - 1500	35,05	38,10	38,10	100
EC 1500 - 1000	38,10	41,14	25,40	100
EC 1625 - 1500	41,28	44,33	38,10	50
EC 1750 - 1000	44,45	47,49	38,10	50
EC 1875 - 2000	47,63	50,80	50,00	50
EC 2000 - 2000	50,80	53,84	50,00	50

Used to protect parts such as bolts and pims outside masking which are undesirable for powder coating, cataphoresis and coating.

\* Flexible and protective feature

\* After the Powder coating and cataphoresis applications, the paint on it can be removed easily

\* It can resist temperature up to 250 ° C and chemicals

\* Silicone masking products that are degassed by producing in special processes

