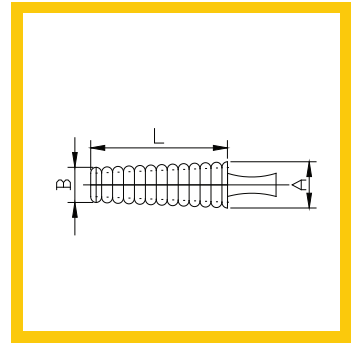


flangeless plug



PRODUCT CODE	A(mm)	B(mm)	L(mm)	PCS./ BOX
EFP - 157 - 079	3,99	2,01	19,05	500
EFP - 236 - 157	5,99	3,99	25,4	500
EFP - 315 - 236	8,00	5,99	25,40	500
EFP - 394 - 315	10,01	8	25,4	500
EFP - 472 - 394	11,99	10,01	25,40	250
EFP - 551 - 472	14	11,99	25,4	250
EFP - 630 - 551	16,00	14,00	25,40	250
EFP - 709 - 630	18	16	25,4	250
EFP - 787 - 709	20,00	18,00	25,40	100
EFP - 886 - 787	22	19	25,4	100
EFP - 945 - 886	24,00	22,00	25,40	50

* After the Powder coating and Cataphoresis applications, the paint on it can be removed easily .

* It can resist temperature up to 250 ° C and chemicals.

* Silicone masking products that are degassed by producing in special processes.